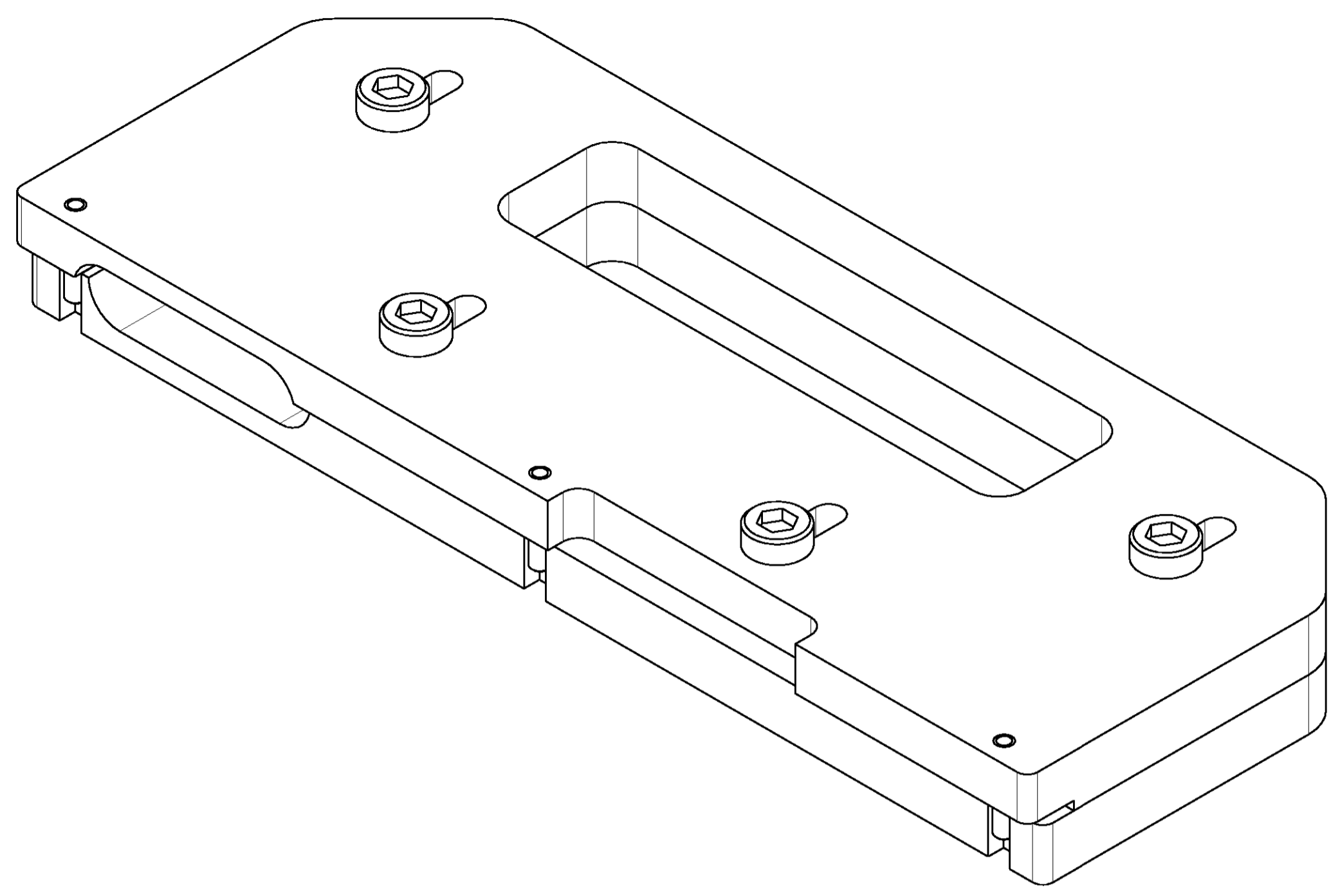
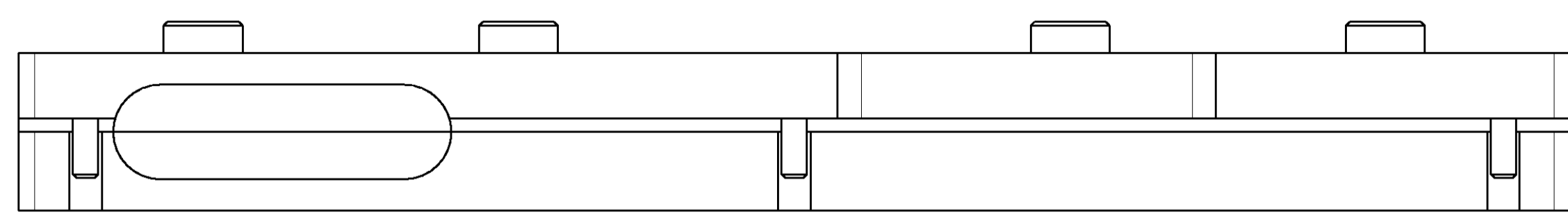
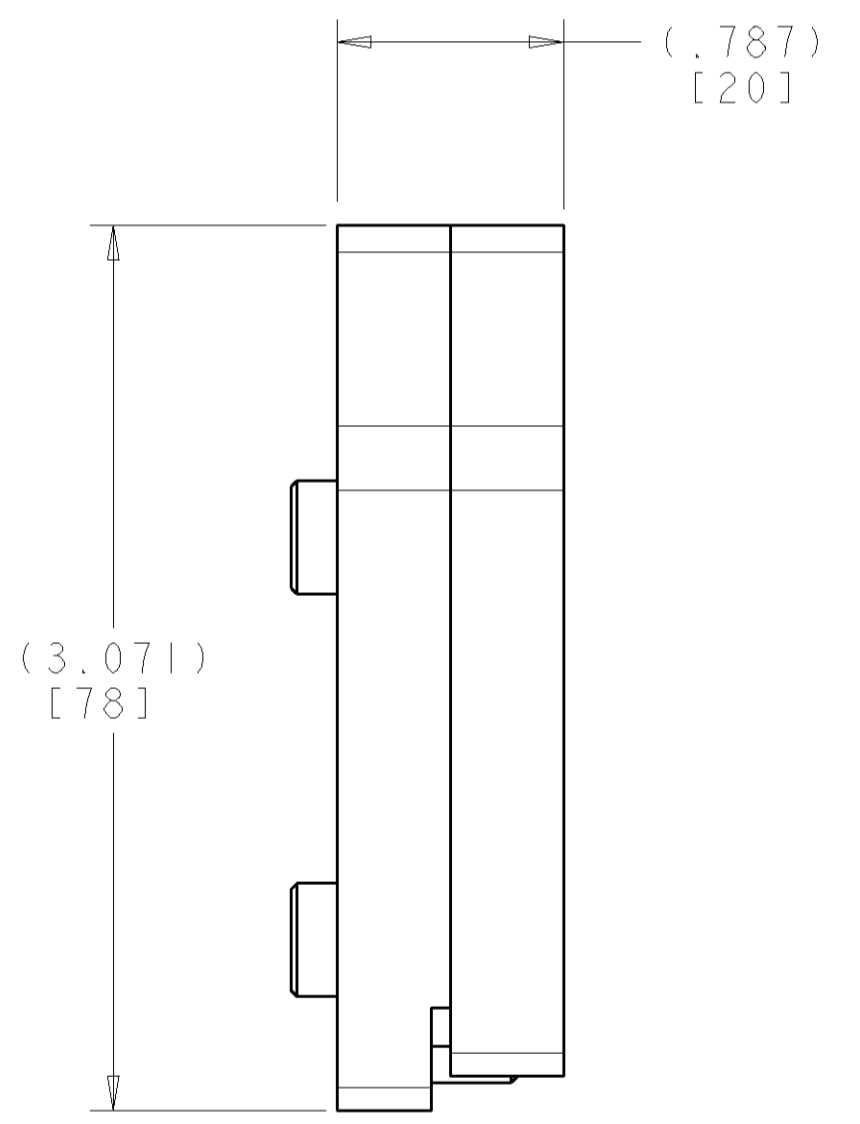
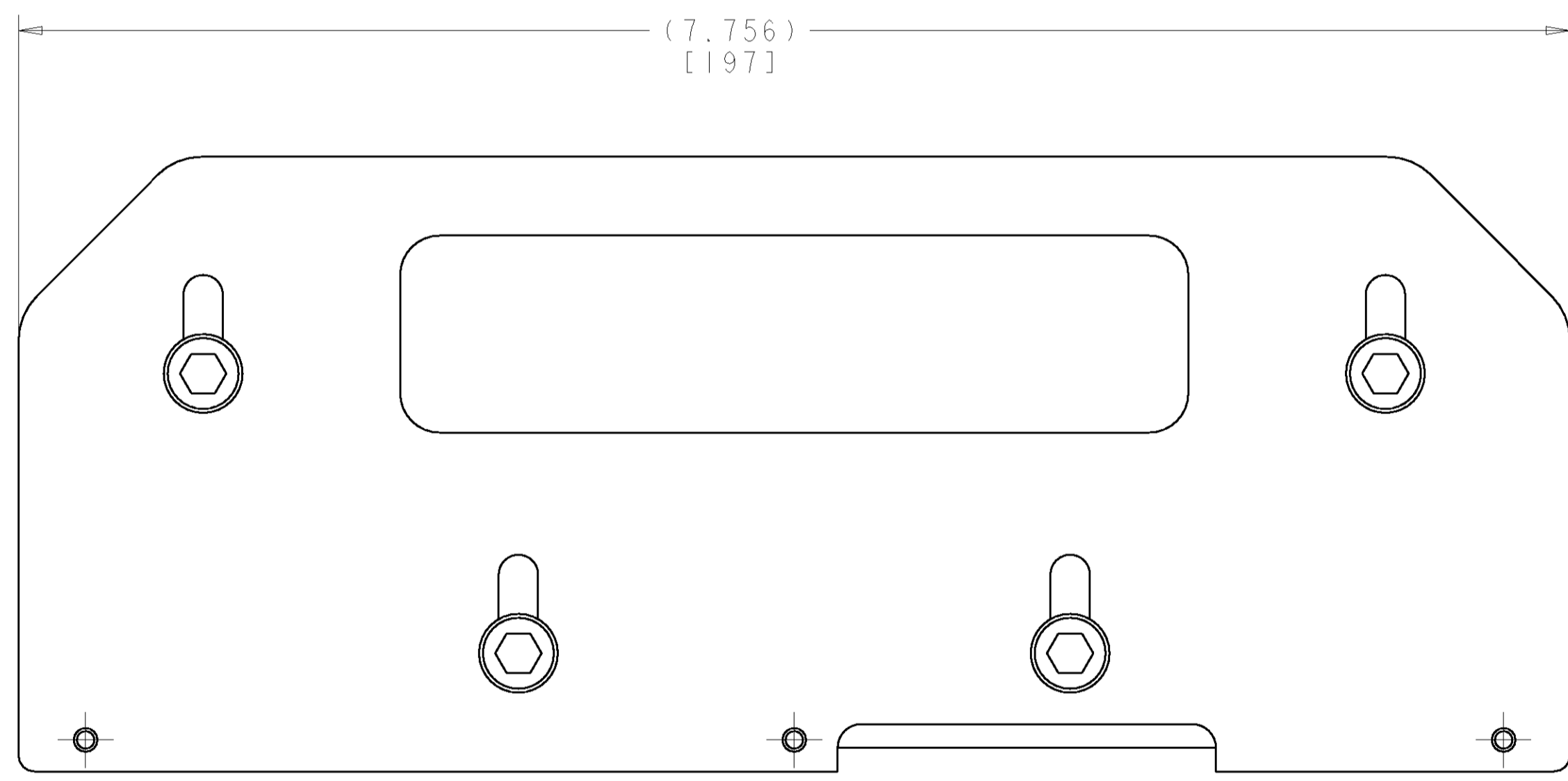


LOC	DIST	REVISIONS					
		P.	LTR	DESCRIPTION	DATE	DWN	APVD
HM	00	A		REV-EC 0B60-0019-04	25FEB04	LH	MD



1. MATERIAL: ACRYLIC.
2. ALL DIMENSIONS ARE NOMINAL.



1435491-1
PART NO.

<small>THE DIMENSIONS IN PARENTHESES REPRESENT THE DIMENSIONS OF THE ORGANIZATION IT IS THE USER'S RESPONSIBILITY TO CONTACT THE ORGANIZATION FOR THE LATEST REVISIONS</small>		DWN L HALL 25FEB04 CHK M DELPHIAS 25FEB04 APVD M DELPHIAS 25FEB04	tyco Electronics Tyco Electronics Harrisburg, PA 17105-3608
DIMENSIONS: MM [INCHES]	TOLERANCES UNLESS OTHERWISE SPECIFIED: 0 PLC ± 1 PLC ± 2 PLC ± 3 PLC ± 4 PLC ± ANGLES ± FINISH -	NAME PRODUCT SPEC APPLICATION SPEC WEIGHT CUSTOMER DRAWING	TOOL ANALYZER EXPANSION CARD EXTRACT, AMPTRAC SIZE CAGE CODE DRAWING NO A 00779 C-1435491 SCALE 3:2 SHEET 1 OF 1 REV A